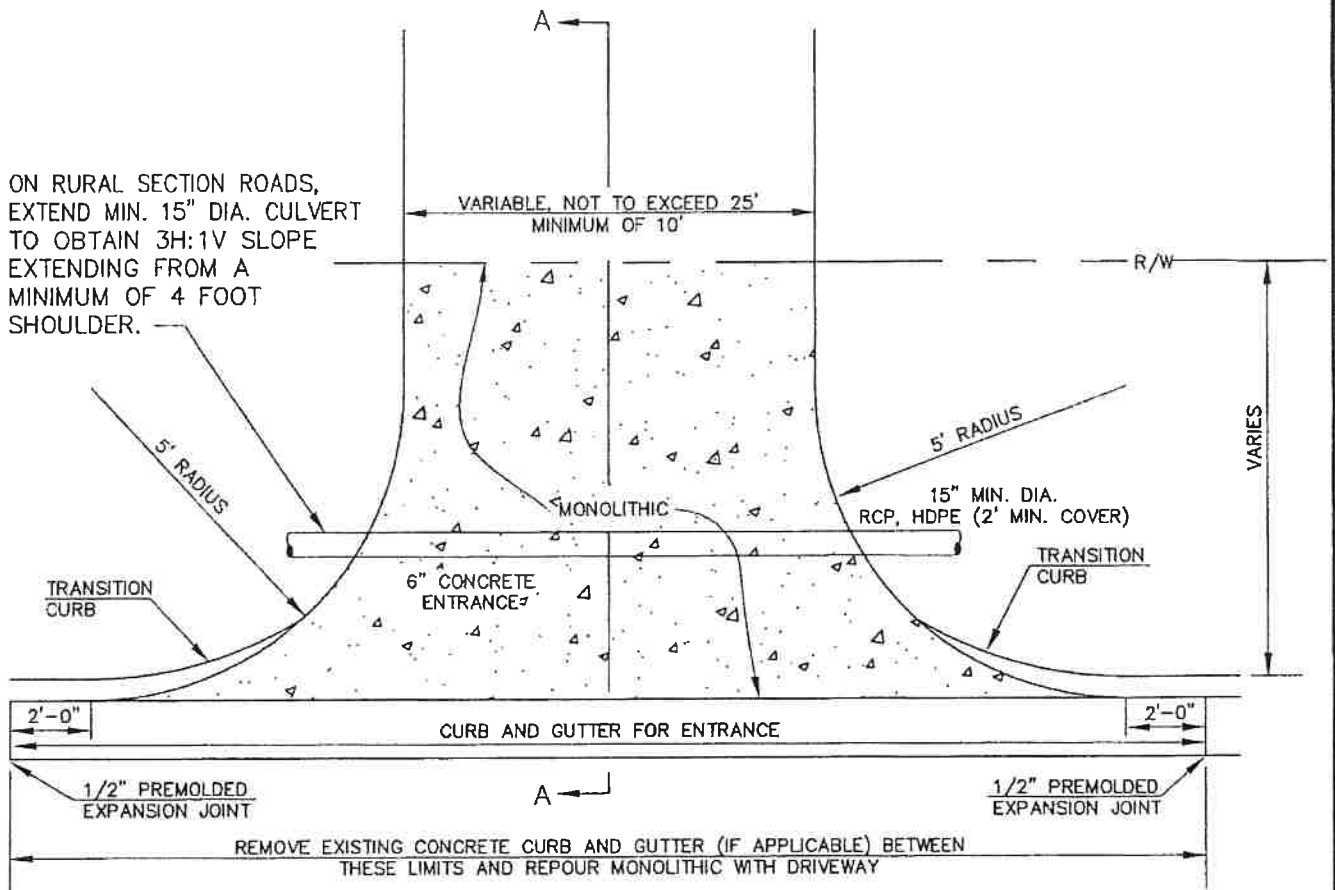
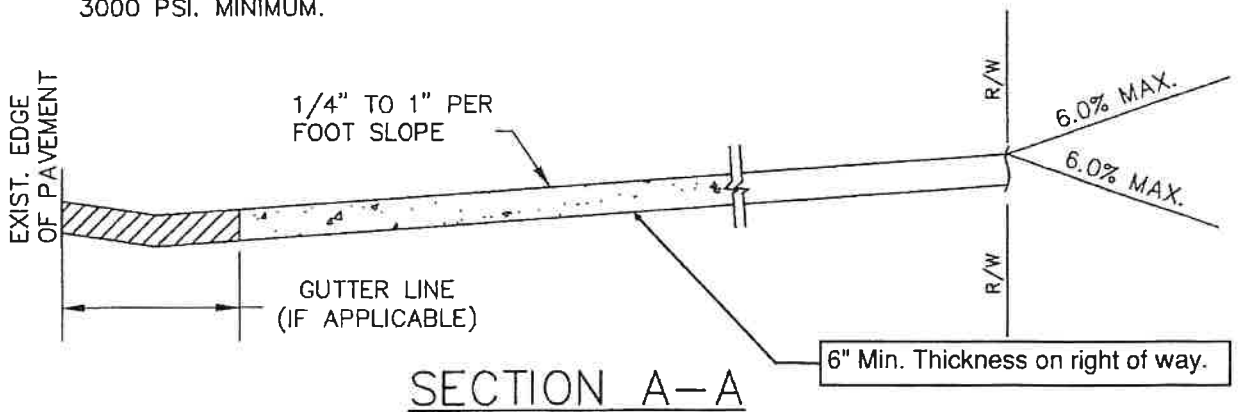


ON RURAL SECTION ROADS,
EXTEND MIN. 15" DIA. CULVERT
TO OBTAIN 3H:1V SLOPE
EXTENDING FROM A
MINIMUM OF 4 FOOT
SHOULDER.



NOTE: ALL CONCRETE TO BE
3000 PSI. MINIMUM.

PLAN



NOTE: INSTALL MIN. 15" DIAMETER CULVERT AT LOW
POINT OF DRIVEWAY.



**CITY OF
VALDOSTA**

**STANDARD DESIGN AND
CONSTRUCTION DETAILS**

RESIDENTIAL DRIVEWAY

110

